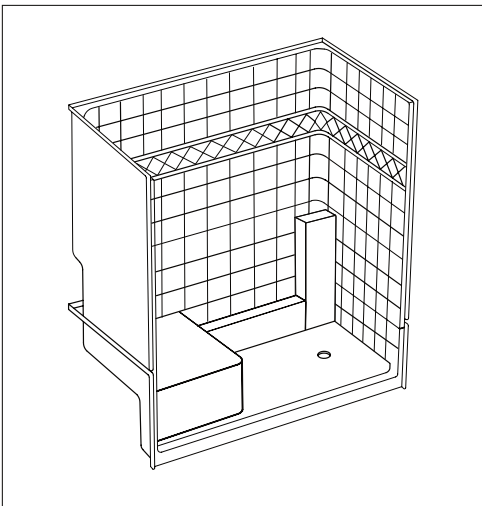




ELLA'S BUBBLES SERIES

New Construction One-Piece Showers



Specification Manual

60" x 33" x 77"

Low Threshold Shower Stall & Kit
Basic Package

For more product information visit ellasbubbles.com
or call Ella's Bubbles toll free at 1-800-480-6850

Ella's Bubbles Series

60" x 33" x 77" New Construction One-Piece Shower
Basic Package



HANDED BY SEAT



Right-Hand Seat Shown



Shipping Container



Armorcore Reinforced Walls

Representing Model Numbers

- E-6032LWH
- E-6032RWH

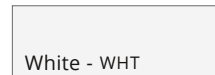
Technical Information

Material: Fiberglass Reinforced with AcrylX
Overall Dimensions: 60 in. x 33 in. x 77 in.
Net Weight: 145 lbs.
Drain Location: Left or Right
Threshold Height: 4 in.
Shipping Dimensions: 67 in. x 43 in. x 84 in.
Shipping Weight: 285 lbs.

Shower Stall and Package Options

Available Colors

* Color tiles intended for reference only.



Available Packages

- Basic
- Liberty

Warranty

• Ella's Bubbles Shower Stall: Lifetime Limited Residential Warranty and 30 Year Commercial Warranty

* For more information please visit ellabubbles.com

Codes

This unit shall meet UPC, CSA B45.5, IAPMOZ124-11, Home Innovation Research Lab, and shall meet the requirements of the Southern Building Code.



**MANUFACTURED AND ASSEMBLED IN
THE UNITED STATES OF AMERICA**

Ella's Bubbles Series

60" x 33" x 77" New Construction One-Piece Shower
Basic Package



PACKAGE ACCESSORIES



Chrome Strainer Brass Drain
with Friction Seal – 2 in.

Ella's Bubbles Series

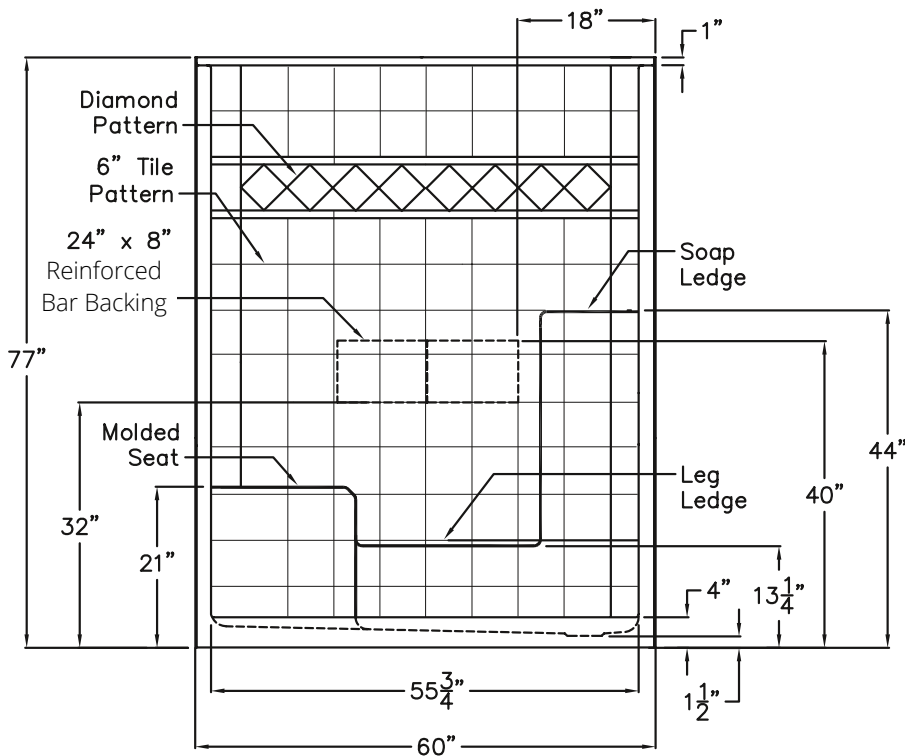
60" x 33" x 77" New Construction One-Piece Shower
Basic Package



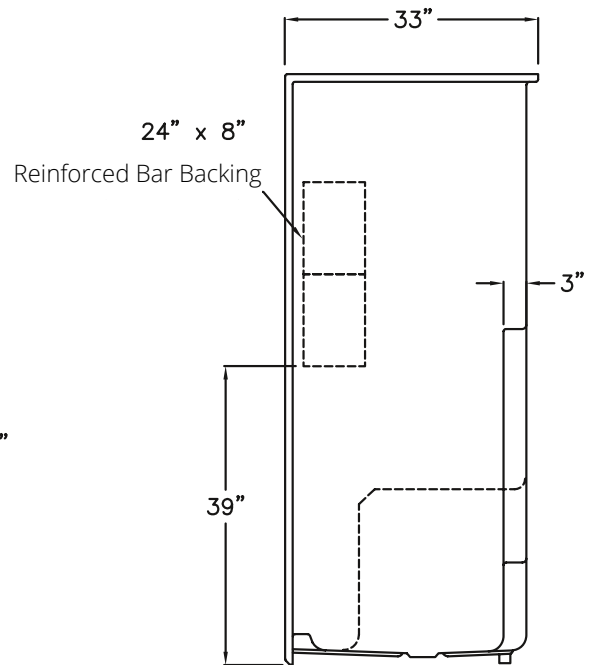
SPECIFICATION DRAWINGS

Due to the nature of the materials, dimensions may vary $\pm \frac{1}{2}$ in.

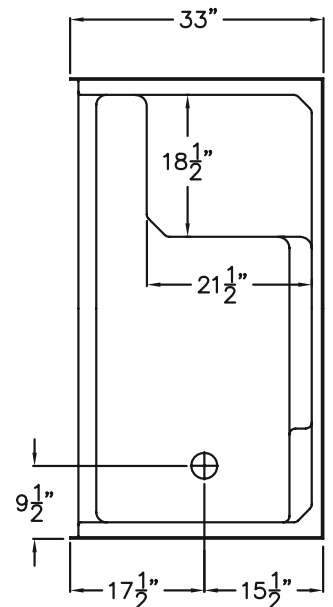
FRONT VIEW



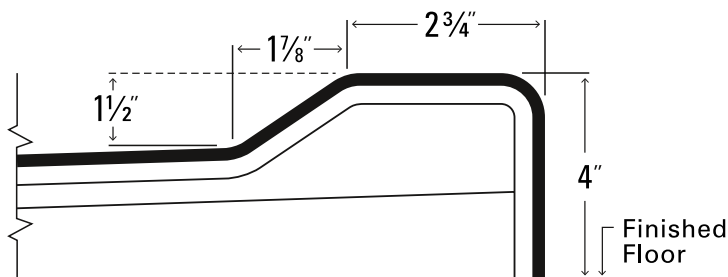
SIDE VIEW



TOP VIEW



4" LOW THRESHOLD



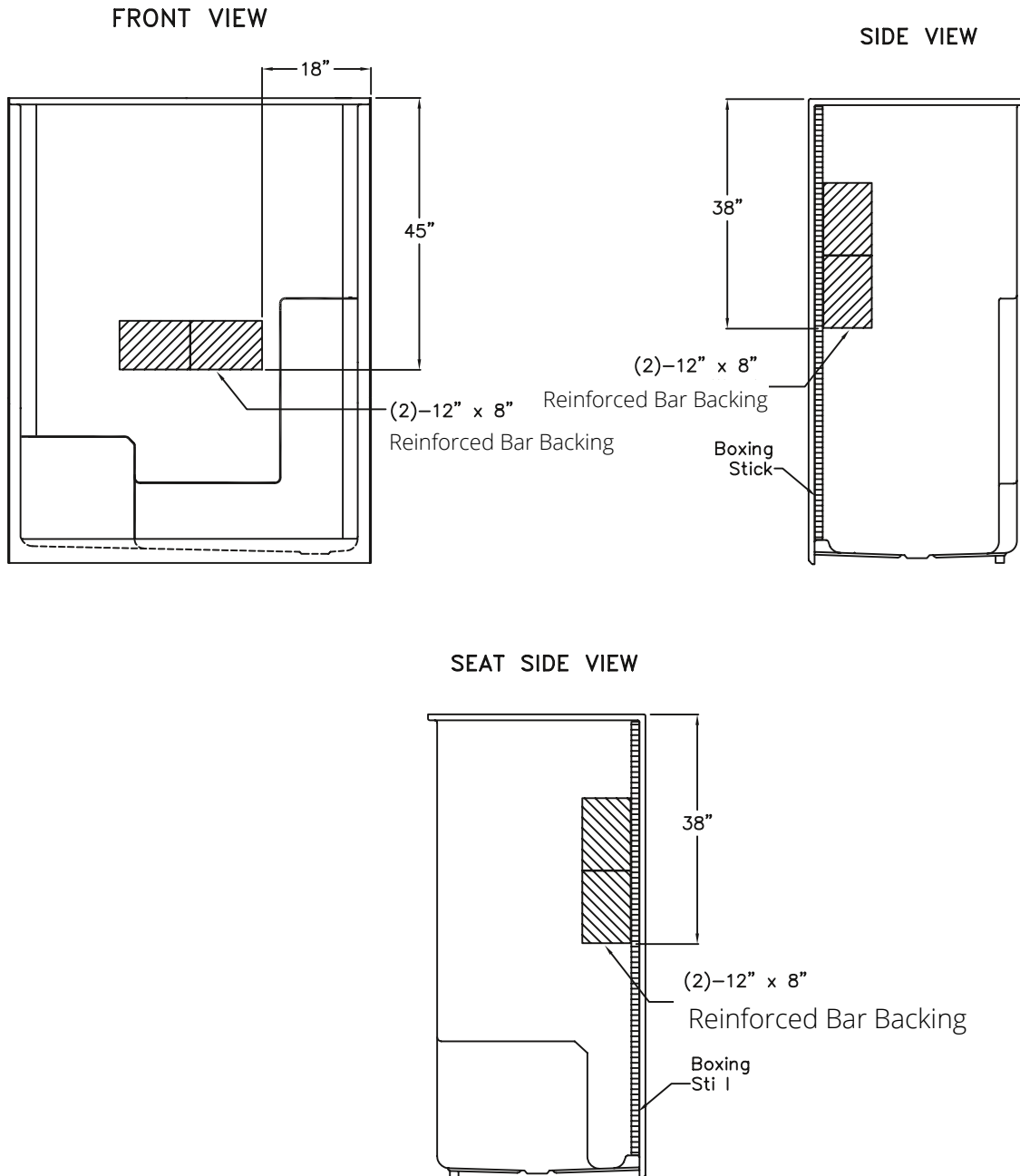
Ella's Bubbles Series

60" x 33" x 77" New Construction One-Piece Shower
Basic Package



BOARD PLACEMENT DRAWING

Due to the nature of the materials, dimensions may vary $\pm \frac{1}{2}$ in.



Ella's Bubbles Series

60" x 33" x 77" New Construction One-Piece Shower
Basic Package



PRODUCT FEATURES

Luxurious & Safe Design

- Architectural subway design tile pattern with diamond accent pattern for a traditionally modern aesthetic
- Integrated Grip Sure™ floor texture for safe mobility
- Molded soap, shampoo & foot ledges for added convenience



Strength & Durability

- Premium marine-AcrylX and fiberglass polyester resin for a beautiful, long-lasting shower surface
- Reinforced Armorcore panels on all walls for installing future grab bars (future bars by others)
- Twice the weight and the raw materials used in the production of our showers than listed by any of our competitors



Shower Door Friendly

- Ella's Series showers are fabricated to allow the options of using a curtain or shower door
- At the base, square corners above the low threshold support framed or frameless shower door installation



Availability

- Ella's Series showers are manufactured, inspected & shipped directly from the factory
- No order is too big or too small



Contractor Friendly

- Ella's Series One-Piece showers are preassembled at the factory
- Compact and durable packaging for easy handling on the jobsite
- Shipped in heavy duty crating to protect the product in transit

